

10 9 8 7 6 5 4 3 2 1

F

E

D

C

B

A

F

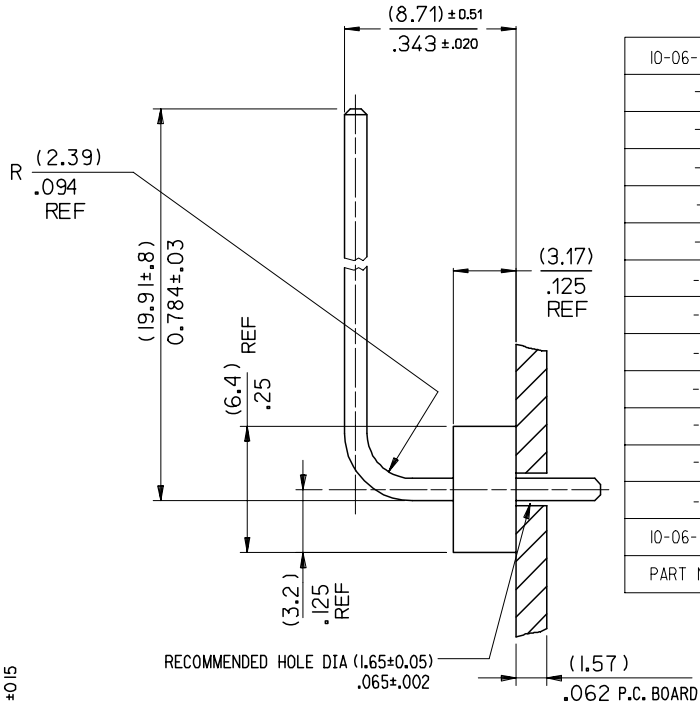
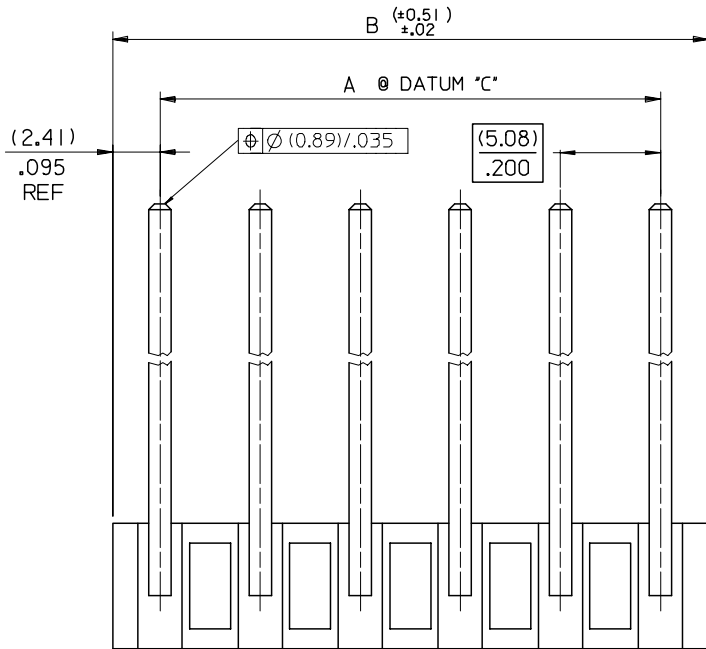
E

D

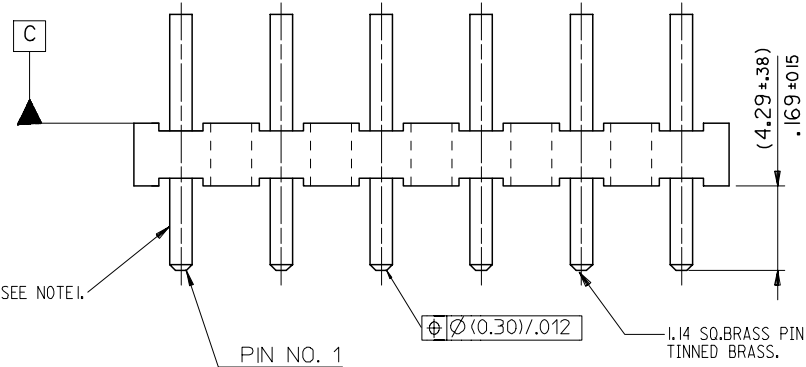
C

B

A



10-06-1155	E-3061-15B	15	(71.12) / 2.800	(75.96) / 2.990
-1145	-14B	14	(66.04) / 2.600	(70.87) / 2.790
-1135	-13B	13	(60.96) / 2.400	(65.79) / 2.590
-1125	-12B	12	(55.88) / 2.200	(60.71) / 2.390
-1115	-11B	11	(50.80) / 2.000	(55.63) / 2.190
-1105	-10B	10	(45.72) / 1.800	(50.55) / 1.990
-1095	-9B	9	(40.64) / 1.600	(45.47) / 1.790
-1085	-8B	8	(35.56) / 1.400	(40.39) / 1.590
-1075	-7B	7	(30.48) / 1.200	(35.31) / 1.390
-1065	-6B	6	(25.40) / 1.000	(30.23) / 1.190
-1055	-5B	5	(20.32) / 0.800	(25.15) / 0.990
-1045	-4B	4	(15.24) / 0.600	(20.07) / 0.790
-1035	-3B	3	(10.16) / 0.400	(14.99) / 0.590
10-06-1025	E-3061-2B	2	(5.08) / 0.200	(9.91) / 0.390
PART NO.	ENG NO.	NO. OF CKTS	DIM 'A'	DIM 'B'



WAFERS WITH VOIDS:

10-06-1046	E-3061-4B-51	4	2, 3	(15.24) / 0.600	(20.07) / 0.790
PART NO.	ENG. NO.	NO. OF CKTS	VOID CKT. LOCATION	DIM 'A'	DIM 'B'

3061-NB-51
 BASE NO: _____ VOID CODE:
 NO. OF CKTS: _____
 VERSION: _____

NOTES:

- PIN PUSH OUT FORCE: 1.36 KG MIN.
- PIN MUST CONFORM TO MOLEX SOLDERABILITY SPEC. NO. 152 AFTER PLATING.
- THIS PART CONFORMS TO PROD. SPEC. 99020-0087

WAFER MAT'L: NYLON 6/6, 94V-2

MOD DIMS & TOLS	DESCRIPTION
EC NO: E2007-0996	2007/06/13
DRWN: DENNEHY	2007/06/13
CHKD: MORIARTY	2007/06/13
APPR: DENNEHY	2007/06/22

QUALITY SYMBOLS	DESCRIPTION
▽=0	
△=0	

GENERAL TOLERANCES (UNLESS SPECIFIED)	DIMENSION STYLE MM/IN	
	mm	INCH
4 PLACES	± ---	± ---
3 PLACES	± ---	± .010
2 PLACES	± 0.25	± .014
1 PLACE	± 0.35	± ---
ANGULAR ±1/2°		
DRAFT WHERE APPLICABLE MUST REMAIN WITHIN DIMENSIONS		

DRAWN BY	DATE	TITLE
J.A.B	1976/11/11	RIGHT ANGLE WAFER ASSEMBLY
CHECKED BY	DATE	
T. MAHON	1999/04/02	
APPROVED BY	DATE	
MWILHITE	1999/04/02	
MATERIAL NO.	DOCUMENT NO.	SHEET NO.
SEE CHART	SDAE-3061-NB	1 OF 1

SCALE	DESIGN UNITS	THIRD ANGLE PROJECTION
4:1	METRIC	RIGHT ANGLE WAFER ASSEMBLY
MOLEX INCORPORATED		
THIS DRAWING CONTAINS INFORMATION THAT IS PROPRIETARY TO MOLEX INCORPORATED AND SHOULD NOT BE USED WITHOUT WRITTEN PERMISSION		

9 8 7 6 5 4 3 2 1